

- Ⓢ **HALOGENSTRÅLKASTARE**
- Ⓝ **HALOGENLYSKASTER**
- ⒹⓀ **HALOGENPROJEKTØR**
- ⒻⒺ **HALOGENIVALONHEITIN**



HALOGEN FLOODLIGHT INSTRUCTION

IMPORTANT SAFETY INFORMATION

This appliance is only suitable for fixed mounting.
 The floodlight may not be used on a mast(pole).
 Ensure that the mains voltage is switched off before mounting the halogen floodlight.
 Fix the appliance, out of reach (2,5 m) by 2 screws of minimum 6 mm and maximum 7 mm length.
 Respect a minimum distance of 1 meter between the appliance and the object or surface which has to be lightened (fig.3).
 The lightning direction can not be adjusted to down ward.
 For applications of normal inflammable surfaces follow the instructions of fig.2
 Do not mount the projector on the ceiling.
 Use approves supply cable H05RN-F 3X1,0 mm². Make sure that the grommet is used to ensure that the housing remains waterproof.
 Connect the yellow/green conductor of the connection supply cable with the connection block, marked with the earthing symbol (fig.1)
 Mount the other wires into the connector block. See marks N and L (fig.1)
 When the halogen lamp has to be changed, switch off the mains voltage before opening the lid.
 Fix now the halogen lamp in the lampholder. Halogen lamps should not be touched with bare hands.
 Replace cracked protection glass immediately.
 The halogen lamp in this fitting will burn through quickly if the fitting is fixed under an angle of more than 4°.
 In doubt, consult a qualified election.

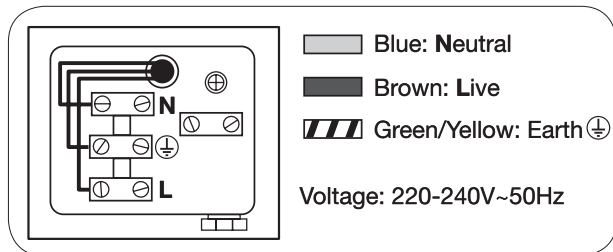


Fig.1

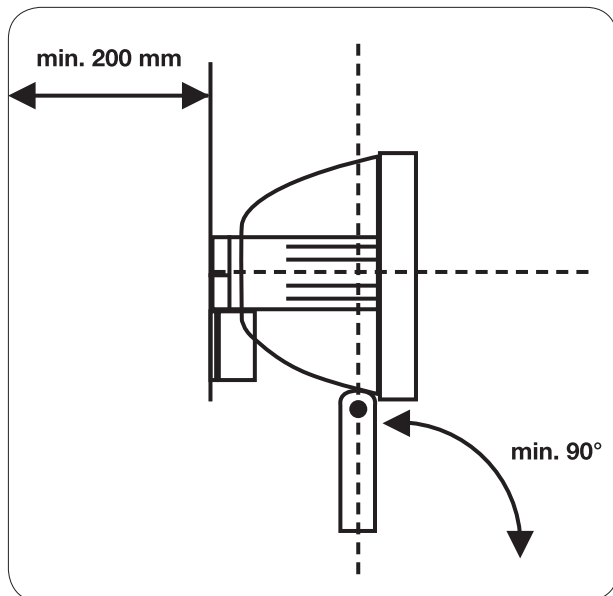


Fig.2

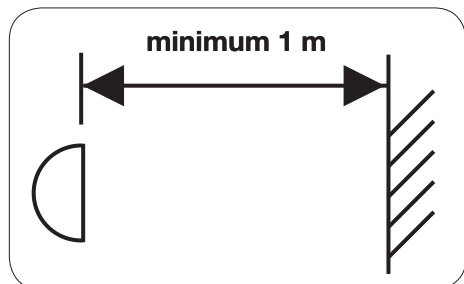


Fig.3

